

TECHNICAL CHARACTERISTICS

TTAMRB

# Tam

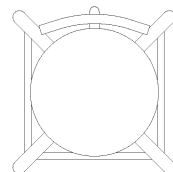
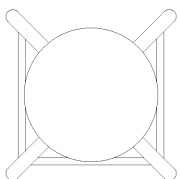
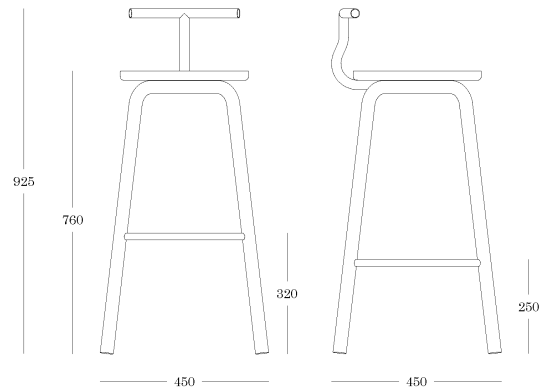
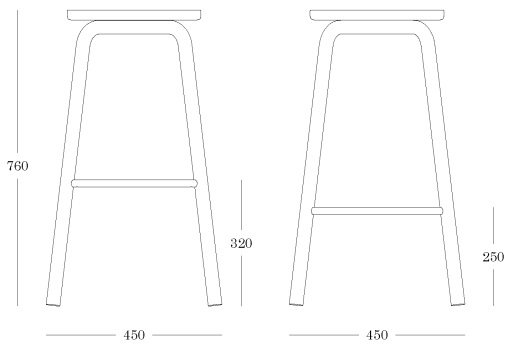
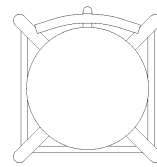
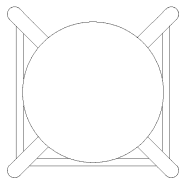
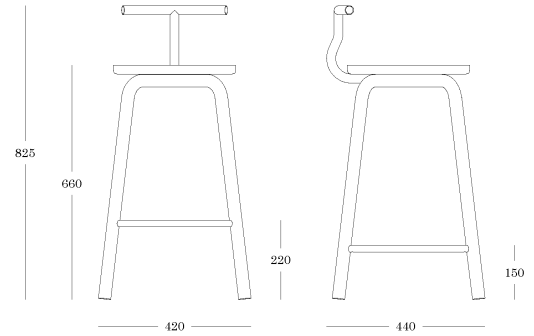
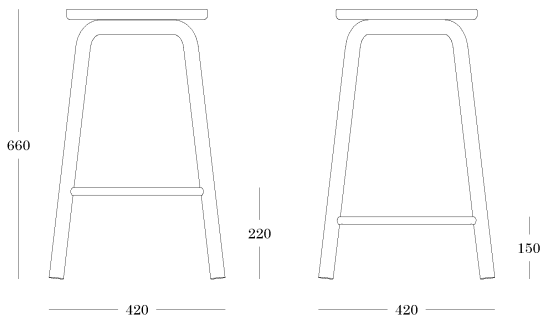
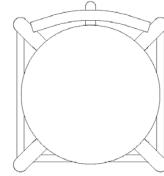
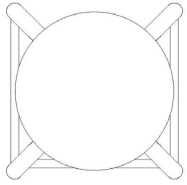
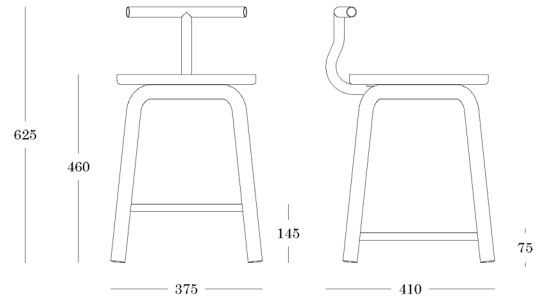
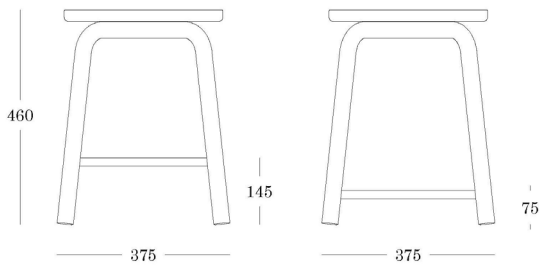
## Wood Stool

The TAM collection is based on the circle as the minimal unit of expression, an essential element that gives rise to organic and versatile configurations. Its modular design allows for an infinite number of compositions, from individual pieces to complex structures, fostering flexible connections between users. TAM is a customizable collection that adapts to every space and need, combining design with functionality.

DESIGNED BY NAHTRANG



**ondarreta**



## DIMENSIONS

### H45:

38cm x 38 cm x 46 cm x 46 cm x 15cm [width x depth x height x seat height x footrest height]

### H45 with backrest:

38cm x 41 cm x 63 cm x 46 cm x 15cm [width x depth x height x seat height x footrest height]

### H65:

42cm x 42 cm x 66 cm x 66 cm x 20 cm [width x depth x height x seat height x footrest height]

### H65 with backrest:

42cm x 44 cm x 83 cm x 66 cm x 20 cm [width x depth x height x seat height x footrest height]

### H75:

45cm x 45 cm x 76 cm x 76 cm x 30 cm [width x depth x height x seat height x footrest height]

### H75 with backrest:

45cm x 45 cm x 93 cm x 76 cm x 30 cm [width x depth x height x seat height x footrest height]

## WEIGHT

H45 [without/with backrest]: 3.7kg / 4.3kg

H65 [without/with backrest]: 4.4kg / 5.0kg

H75 [without/with backrest]: 4.8kg / 5.4 kg

## PACKAGING

### H45:

55.3 cm x 41 cm x 97.5 cm (2 pieces per box)

### H65:

55.3 cm x 41 cm x 97.5 cm (1 piece per box)

### H75:

55.3 cm x 41 cm x 97.5 cm (1 piece per box)

## CERTIFICATION

Product tested under the European standard EN 16139:2013, category of severe use L2.

PEFC certify wood.

## ACCESORIES

Felt Glides

Backrest

## ORIGIN

100% Made in Europe

## DESIGN

Nahtrang



## **COMPONENTS**

### **FRAME**

#### **Material**

Solid oak wood of 35mm diameter bent by a special process of turning, steaming and pressing.

Footrest made of 18mm diameter solid oak wood obtained by the turning process.

#### **Finish**

Stained oak.

### **SEAT**

#### **Oak**

Oak wood on birch plywood of 340mm diameter and 25 mm thickness, composed of reinforced lamellas with alternate arrangement of fibres to gain strength, glued, pressed and CNC machined with rounded edge.

#### **Arpa Fenix + birch plywood**

HPL high pressure laminate glued and pressed at high temperatures on a plywood core of 340 mm diameter and 25 mm thickness, consisting of reinforced sheets with alternating fibre arrangement for strength, glued, pressed and CNC-machined with rounded edges.

#### **Upholstered**

CNC machined 16 mm thick technical wood interior with 30 mm thick medium density flexible foam.

#### **Upholstered seat-pad**

Oak wood on birch plywood 340mm in diameter and 18 mm thick, composed of reinforced sheets with an alternating arrangement of fibres to gain strength, glued, pressed and CNC-machined with rounded edges. On it is included a piece of technical wood and flexible medium-density foam upholstered to offer greater comfort.

#### **Finish**

Stained oak, Fenix laminate, upholstery and seat-pad upholstery.



## **BACKREST**

Easily assembled and disassembled accessory made from a 25 mm diameter, 2 mm thick precision bent cylindrical tube in recycled, cold-rolled steel of quality E-220 (norm EN-10305).

Tensile strength > 403 N/mm<sup>2</sup> (58,438 psi);

Elastic limit > 360 N/mm<sup>2</sup> (52,213 psi); Elongation >29 %

## **METAL FINISHES**

### **EPOXYS**

Powder covering formulated with polyester resins, with good both mechanical and chemical properties, outdoor maximum resistance and noxious compounds free. Electrostatic application and oven cured at 200°C (392°F).

### **Technical characteristics:**

Thickness (ISO 2360): between 60 and 90 µm.

Adherence (ISO 2409): Grade: 0 (maximum adherence)

## **WOOD FINISHES**

### **STAINS**

Pigmented enamel base coat and final coating in transparent silky touch dye. Reactive drying paints: excellent adherence between layers and better mechanical resistance.

### **Technical characteristics:**

Complies with requirements outlined by UNE-EN 71-3; All compounds free of formaldehydes.

## **COM REQUIREMENTS**

Seat with seat-pad: 50 cm\*

Fully upholstered seat: 50 cm\*

\* For a width of 140cm you can get up to 3 pieces per 50cm.