

TECHNICAL CHARACTERISTICS

SALOETB

# Alo

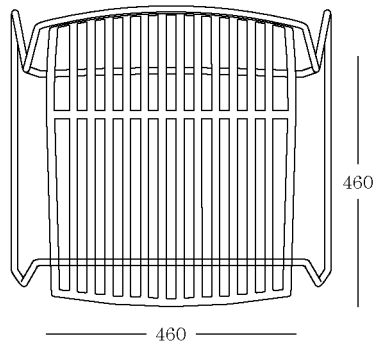
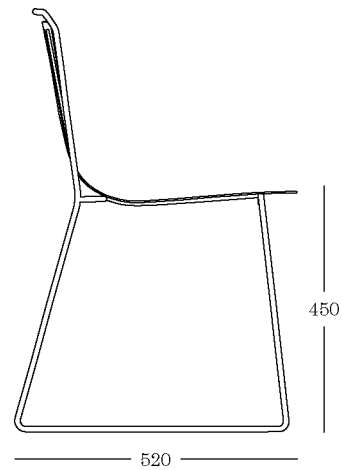
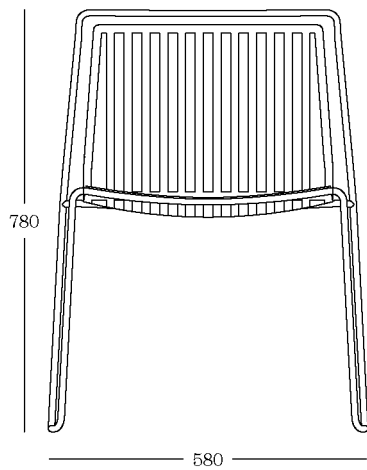
## Outdoor Chair

The new Alo Outdoor, with its well known steel structure and its seat in steel ribbons that seem as if they were floating, giving the chair a sense of lightness and elegance. Available in all our epoxy colours.

DESIGNED BY GABRIEL TEIXIDÓ



**ondarreta**



### DIMENSIONS

58 cm x 52 cm x 78 cm x 45 cm  
(22.8" x 20.5" x 30.7" x 17.7")  
[width x depth x height x seat  
height]

### WEIGHT

7,5 kg (16.5 lb)

### PACKAGING

Two chairs per box.

Box dimensions:

71 cm x 66 cm x 99 cm  
(28" x 26" x 39")

### CERTIFICATION

Product tested under the European  
standard EN 161399:2013, category  
of general use L1.

Designed in accordance with the  
Ecodesign standard UNE-EN ISO  
14006: 2011 certified by AENOR.

### ACCESORIES

Cushion

Trolley

### OPTION

Outdoor

### STACKABILITY

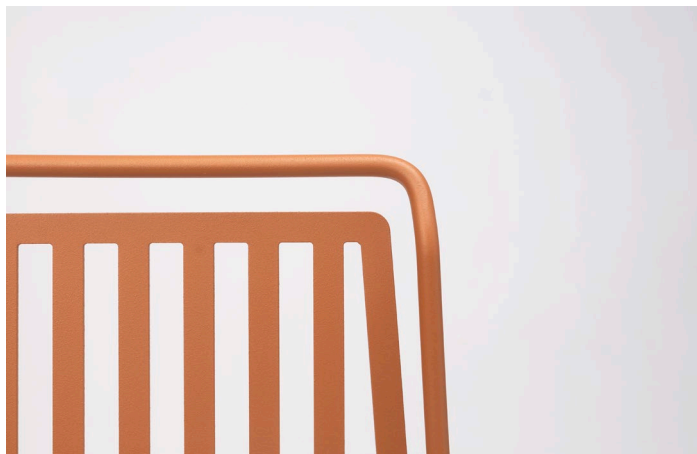
4 units

### ORIGIN

100% Made in Europe

### DESIGN

Gabriel Teixidó



## **COMPONENTS**

### **FRAME**

#### **Material**

12 mm (0.5") diameter cold laminated E-220 quality (EN-10305 Normative) steel rod.

Tensile Strength > 310 N/mm<sup>2</sup> (44,960 psi);

Elastic Limit > 220 N/mm<sup>2</sup> (31,900 psi); Elongation > 23%

#### **Finish**

Epoxy Colour

### **SEAT**

#### **Material**

3 mm (0.12") thickness cold laminated St-37 quality steel tube.

Tensile Strength: 340-470 N/mm<sup>2</sup> (49,300-68,160 psi)

Elastic Limit > 235 N/mm<sup>2</sup> (32,080 psi); Elongation > 25%

Surface Hardness > 110 HB

#### **Finish**

Epoxy Colour

## **METAL FINISHES**

### **EPOXYS**

Powder covering formulated with polyester resins, with good both mechanical and chemical properties and noxious compounds free. Additional shot blasting and zinc plating process for outdoor maximum resistance. Electrostatic application and oven cured at 200°C (392°F).

#### **Technical Characteristics:**

Thickness (ISO 2360): between 60 and 90 µm.

Adherence (ISO 2409): Grade: 0 (maximum adherence)

## **ACCESORIES CUSHION**

#### **Technical Characteristics:**

Foam: 40kg/m<sup>3</sup> (UNI EN ISO 845/ DIN53420).

Inner cover fabric composition: 50% Cotton; 50% Polyester.

Cushion fabric composition: 100% Acrylic; Weight: 335gr/m<sup>2</sup>;

Oil resistance: min.5; Color fastness to artificial weathering:

7-8 blue scale (8); Color fastness to light: 7-8 blue scale (8).

## **COM REQUIREMENT**

Full fabric: 45 cm (17,7")