

TECHNICAL CHARACTERISTICS

SHARXLETD

# Hari XL

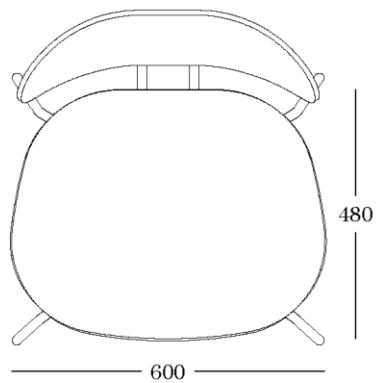
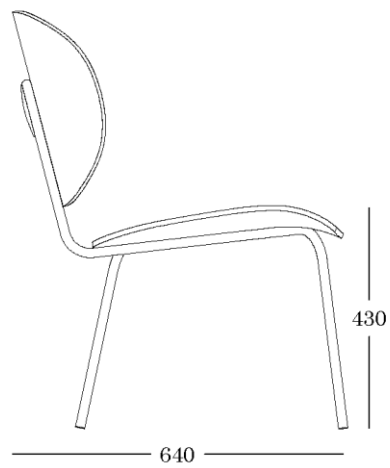
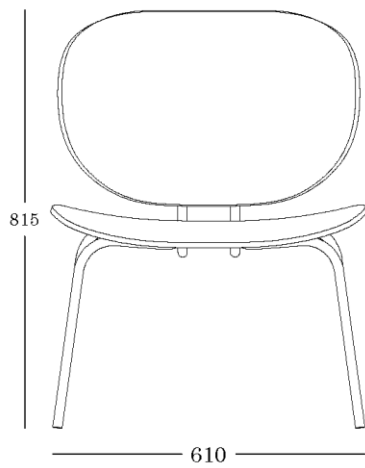
## Chair

The Hari XL chair, inspired by the world of textile looms, with a very industrial aesthetic combined with the delicacy of the threads to create a subtle and elegant chair.

DESIGNED BY ESTUDI{H}AC



**ondarreta**



### DIMENSIONS

61 cm x 64 cm x 81,5 cm x 43 cm  
(24,1" x 25,2" x 32,1" x 17")  
[width x depth x height x seat  
height]

### WEIGHT

8,55 kg (18,9 lb)

### PACKAGING

One chair per box.  
Box dimensions:  
70 cm x 65 cm x 98,5 cm  
(27,6" x 25,6" x 38,8")

### CERTIFICATION

Product tested under the European  
standard EN 16139:2013, category of  
general use L2.

### ACCESORIES

Felt glides

### ORIGIN

100% Made in Europe

### DESIGN

Estudi{h}ac



## **COMPONENTS**

### **FRAME**

#### **Material**

18 mm (0.7") side and 2 mm (0.08") thickness cold laminated E-220 quality (EN-10305 Normative) steel tube.

Tensile Strength > 310 N/mm<sup>2</sup> (44,960 psi);

Elastic Limit > 220 N/mm<sup>2</sup> (31,900 psi); Elongation > 23%

#### **Finish**

Colour epoxy

### **SEAT**

#### **Oak**

Oak wood on Beech plywood, 10 mm (0.4") thick. It's made with especially treated sheets, glued, pressed and CNC machined.

#### **Fabrics**

8 mm (0.31") thick Beech plywood. It's made with especially treated sheets, glued, pressed and CNC machined.

Exclusive and unique upholstery system that allows the fabric a perfect adherence to the seat, maintaining the own chair's shape. Medium density polyether stuffing foam.

#### **Finish**

Stained oak and fabric.

### **BACK**

#### **Oak**

Oak wood on Beech plywood, 10 mm (0.4") thick. It's made with especially treated sheets, glued, pressed and CNC machined.

#### **Fabrics**

8 mm (0.31") thick Beech plywood. It's made with especially treated sheets, glued, pressed and CNC machined.

Exclusive and unique upholstery system that allows the fabric a perfect adherence to the back, maintaining the own chair's shape. Medium density polyether stuffing foam.

#### **Finish**

Stained oak and fabric.

### **BUTTON**

#### **Material**

Zamak material button; base metal of zinc and alloying elements of aluminium, magnesium, and copper.

Complying with ISO 301-81, s/n UNE-EN-1774.

### **Finish**

Colour epoxy (the same as the frame).

### **METAL FINISHES**

#### **EPOXYS**

Powder covering formulated with polyester resins, with good both mechanical and chemical properties, outdoor maximum resistance and noxious compounds free. Electrostatic application and oven curated at 200°C (392°F).

#### **Technical characteristics:**

Thickness (ISO 2360): between 60 and 90 µm.

Adherence (ISO 2409): Grade: 0 (maximum adherence)

### **COM REQUIREMENTS**

Fabric (seat + back): 110 cm (43,4")

