

TECHNICAL CHARACTERISTICS

SGINGER

Ginger

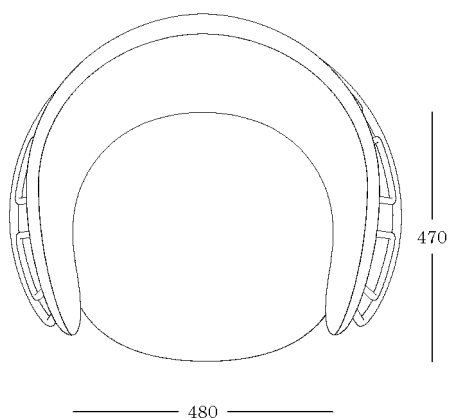
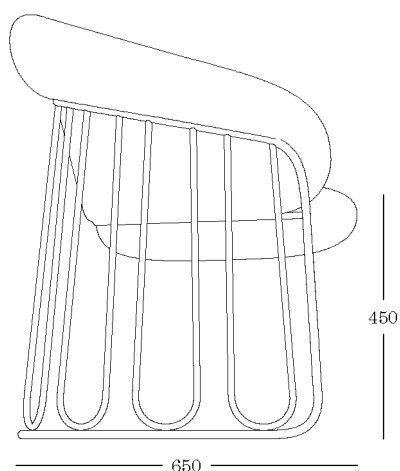
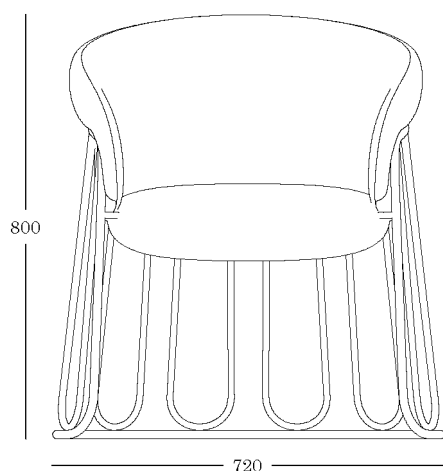
Sled

The seat for the Ginger chair, with its soft and rounded shapes, rests on a decorative and organic sled framework. A sculptural design that provides comfort and cosiness.

DESIGNED BY SEBASTIAN HERKNER



ondarreta



DIMENSIONS

72 cm x 65 cm x 80 cm x 45 cm (28,3" x 25,6" x 31,5" x 17,7") [width x depth x height x seat height]

WEIGHT

12 kg (26,5 lb.)

PACKAGING

One chair per box.

Box dimensions:

74 cm x 67 cm x 82 cm (29,1" x 26,4" x 32,3")

CERTIFICATION

Designed in accordance with the Ecodesign standard UNE-EN ISO 14006:2011.

Product tested under the European standard EN 16139:2013, category of general use L2.

ACCESORIES

Felt glides (black)

ORIGIN

100% Made in Europe

DESIGN

Sebastian Herkner



COMPONENTS

FRAME

Material

12 mm (0.47") side and 1,5 mm (0.06") thickness cold laminated E-220 quality (EN-10305 Normative) circular section steel tube.

Tensile Strength > 310 N/mm² (44,960 psi);

Elastic Limit > 220 N/mm² (31,900 psi); Elongation > 23%

Finish

Colour epoxy

SEAT AND BACK

Flexible polyurethane

Flexible polyurethane injection, a two-component foam system based on Polirol and Iso preparation, of superior quality and ergonomics, on a technical wood core for the seat and rigid polyurethane for the backrest.

Finish

Removable fabric

METAL FINISHES

EPOXYS

Powder covering formulated with polyester resins, with good both mechanical and chemical properties, outdoor maximum resistance and noxious compounds free. Electrostatic application and oven cured at 200°C (392°F).

Technical Characteristics:

Thickness (ISO 2360): between 60 and 90 µm.

Adherence (ISO 2409): Grade: 0 (maximum adherence)

COM REQUIREMENTS

Seat and backrest: 250 cm

For COM tissues, it will be necessary to test viability.

Ondarreta only recommends plain fabrics for this product.