

TECHNICAL CHARACTERISTICS

SBAITOPG

Bai

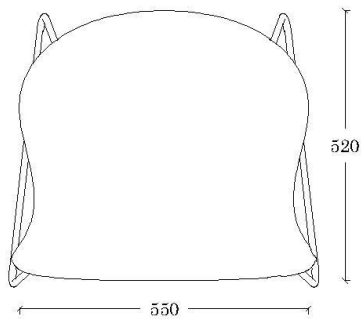
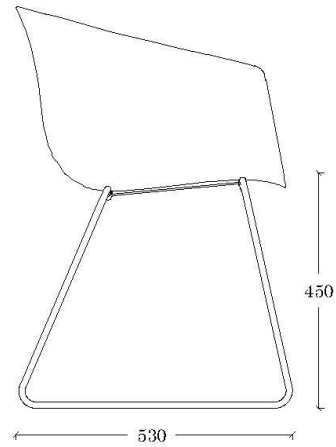
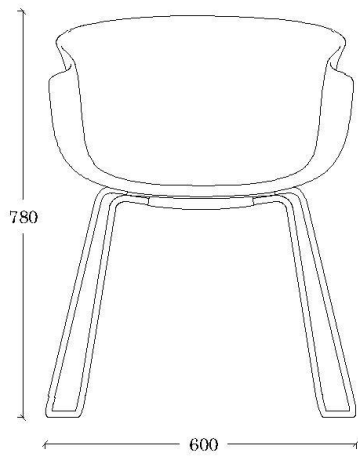
Sled chair outdoor

Generous proportions and wraparound lines, a versatile piece that has a noble and welcoming appearance. The Bai sled chair, with its steel structure that holds up the seat with its soft and organic curves in polypropylene.

DESIGNED BY ANDER LIZASO



ondarreta



DIMENSIONS

60 cm x 53 cm x 78 cm x 45 cm (23.6"
x 20.8" x 30.7" x 17.7")
[width x depth x height x seat
height]

WEIGHT

8 kg (17,6 lb)

PACKAGING

One chair per box, box dimensions:
67 cm x 72 cm x 85 cm
(26,4" x 28,3 x 33,5")

CERTIFICATION

Product tested under the European
standard EN 16139:2013, category of
extreme use L2.

Designed in accordance with the
Ecodesign standard UNE-EN ISO
14006: 2011 certified by AENOR.

ORIGIN

100% Made in Europe

DESIGN

Ander Lizaso



COMPONENTS

STRUCTURE

Material

12 mm (0.5") diameter cold laminated E-220 quality (EN-10305 Normative) steel rod.

Tensile Strength > 310 N/mm² (44,960 psi);

Elastic Limit > 220 N/mm² (31,900 psi); Elongation > 23%

Finish

Colour epoxy.

SHELL

Texturized polypropylene

Impact textured copolymer to obtain matt finish. It has good mechanical properties. Very light and resistant to UV rays.

Check for fireproofing.

Technical characteristics:

Density (s / ISO 1183): 900 kg / m³

Yield stress (s / ISO 527-1 / -2): 23 N / mm²

Flexural modulus (s / ISO 178): 1100 N / mm² (23 ° C)

Finish

Textured matt.

METAL FINISH

EPOXYS

Two-layer coating composed of zinc-rich epoxy primer and polyester resin powder coating with good mechanical and chemical properties. Maximum outdoor resistance and free of harmful compounds (TGIC). With electrostatic application and oven curing at 200°C.

Technical characteristics:

Thickness (ISO 2360): between 60 and 90 µm.

Adherence (ISO 2409): Grade: 0 (maximum adherence)