

TECHNICAL CHARACTERISTICS

SALOETB

Alo

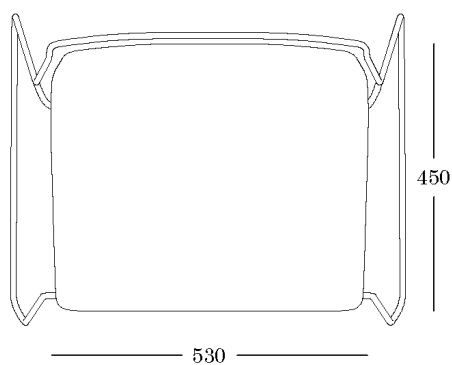
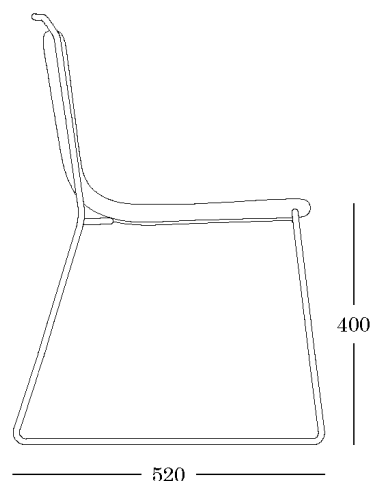
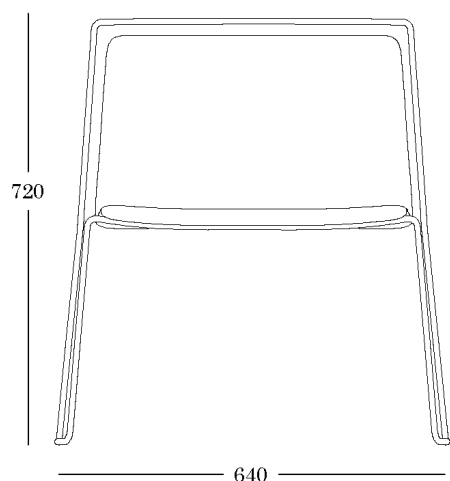
Lounge

Alo XL, a unique piece with light feels and an elegant personality. Its structure in steel that surrounds a varnished, upholstered or laminated wooden shell.

DESIGNED BY GABRIEL TEIXIDÓ



ondarreta



DIMENSIONS

64 cm x 52 cm x 72 cm x 40 cm
(25.2" x 20.5" x 28.3" x 15.7")
[width x depth x height x seat
height]

WEIGHT

6,8 kg (15 lb.)

PACKAGING

Two chairs per box.
Box dimensions:

71 cm x 66 cm x 99 cm
(28" x 26" x 39")

CERTIFICATION

Product tested under the European
standard EN 161399:2013, category
of general use L1.

ACCESORIES

Linking pieces (included)

Option Felt glides

Trolley

OPTION

Outdoor

STACKABILITY

8 units

ORIGIN

100% Made in Europe

DESIGN

Gabriel Teixidó

ondarreta



COMPONENTS

FRAME

Material

12 mm (0.5") diameter cold laminated E-220 quality (EN-10305 Normative) steel rod.

Tensile Strength > 310 N/mm² (44,960 psi);

Elastic Limit > 220 N/mm² (31,900 psi); Elongation > 23%

Finish

Colour Epoxy

SEAT & BACK

Beech

Beech plywood board seat, 10 mm (0.4") thick. It's made of especially treated sheets, glued, pressed and CNC mechanized.

Fabrics

Upholstered with exclusive method to fix the fabric to the seat and keep the shape of the chair. 10 mm (0.4") thick medium density polyether stuffing foam.

Beech + fabric

Beech plywood seat assembled to board shell.

Upholstered at the seat and stained the shell (4 and 7 mm thick) (0.16" and 0.27"). Medium density polyether stuffing foam.

Laminate

High pressure laminates glued and pressed in high temperatures on seat.

Technical Characteristics:

Urea-formol glue: low formaldehyde emission (E1 European Normative)

The wood has the PEFC certificate.

Finish

Stained, laminate, fabric or fabric seat.

METAL FINISHES

EPOXYS

Powder covering formulated with polyester resins, with good both mechanical and chemical properties, outdoor maximum resistance and noxious compounds free. Electrostatic application and oven cured at 200°C (392°F).

Technical Characteristics:

Thickness (ISO 2360): between 60 and 90 µm.

Adherence (ISO 2409): Grade: 0 (maximum adherence)

COM REQUIREMENTS

Full Fabric: 80 cm (31.5")

Fabric Seat: 45 cm (17.7")